

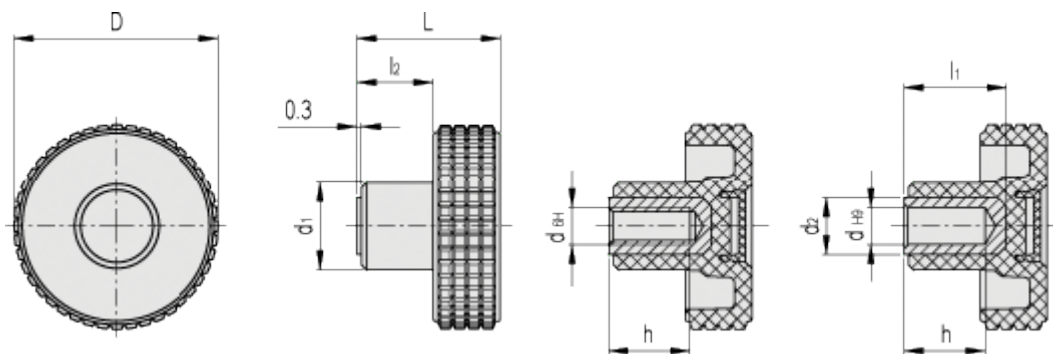
Data Sheet



Article number: 23020344263

Description: E+G Fingergreb MBT.50-B-M10-C3, grey centre cap

Measures



D = 50

l2 = 16

d1 = 20

d2 = -

dH6 = M10

dH9 = -

h = 18

L = 33

l1 = -